



# Jalando BA 70

(PREASSEMBLED)



**Weight**  
290kg Preassembled



## Whats Included

- Cement/clay oven
- Flue
- Steel slab base
- Steel sub floor
- 1 Pizza paddle
- Refractory brick floor
- 1 Recipe book
- 1 Powder coated oven door
- 1 oven stand



Oven Dimensions

### External dimensions of oven

Length (front to back)	950mm
Width (left to right)	930mm
Oven height (excluding flue)	580mm
Weight	290kg

### Internal dimensions of oven

Length (front to back)	840mm
Width (left to right)	710mm

### Flue details

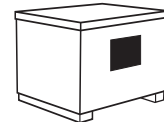
Flue height	600mm
Flue diameter	275mm



Delivery Quote

For delivery quote go online

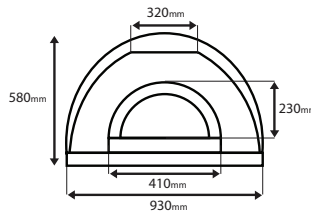
[jalandopizzaovens.com.au/quotation-on-delivery](http://jalandopizzaovens.com.au/quotation-on-delivery)  
or call on 0418 339 881 - 0438 783 533  
Monday - Friday 8am to 6pm



Box Dimensions

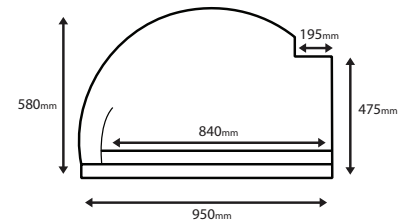
### Preassembled oven

(L) 1160mm x (W) 1120mm x (H) 835mm



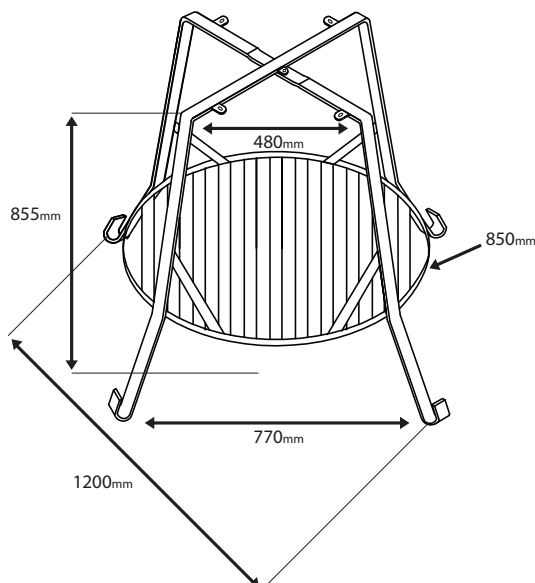
Oven Diagram (Front)

Width	930mm
Height	580mm
Arch Width	410mm
Arch height	230mm
Flue base width	320mm



Oven Diagram (Side)

Length	950mm
Height	580mm
Internal length	840mm
Flue base width	195mm
Front height	475mm



## Round stand

Length	1200mm
Width	770mm
Height	855mm
Top width	480mm
Tray	850mm diameter

Note: to use this stand, please specify when ordering.