



# JA 60 DOME

(PREASSEMBLED)



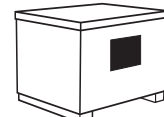
**Weight**  
250kg Preassembled  
150Kg DIY

## Whats Included

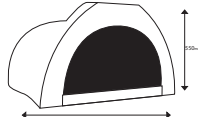
- Cement/clay oven
- Flue
- Steel slab base (preassembled only)
- Steel sub floor
- 1 Pizza paddle
- Refractory brick floor
- 1 Recipe book
- 1 Powder coated oven door
- 1 oven stand (preassembled only)
- Assembly instructions (DIY only)



Delivery Quote



Box Dimensions



Oven Dimensions

### External dimensions of oven

Length (front to back)	866mm
Width (left to right)	861mm
Oven height (excluding flue)	590mm
Weight (preassembled)	250kg
Weight (DIY)	150kg

### Internal dimensions of oven

Length (front to back)	735mm
Width (left to right)	600mm

### Flue details

Flue height	600mm
Flue diameter	275mm

For delivery quote go online

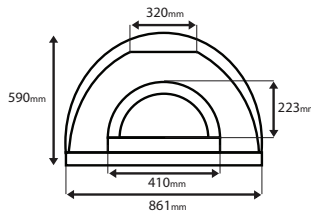
[jalandopizzaovens.com.au/quotation-on-delivery](http://jalandopizzaovens.com.au/quotation-on-delivery)  
or call on 0418 339 881 - 0438 783 533  
Monday - Friday 8am to 6pm

### Preassembled oven

(L) 1020mm x (W) 1150mm x (H) 835mm

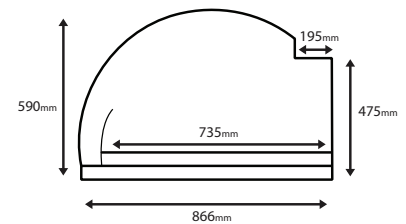
### DIY kit

(L) 866mm x (W) 861mm x (H) 590mm



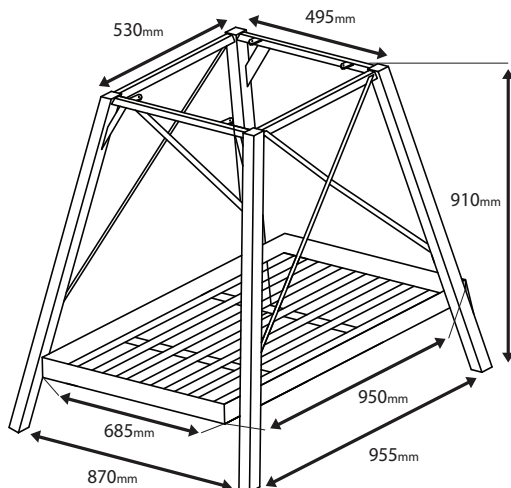
### Oven Diagram (Front)

Width	861mm
Height	590mm
Arch Width	410mm
Arch height	223mm
Flue base width	320mm



### Oven Diagram (Side)

Length	866mm
Height	590mm
Internal length	735mm
Flue base width	195mm
Front height	475mm



### JO stand (equipped with oven)

Length	955mm
Width	870mm
Height	910mm
Top length	530mm
Top width	495mm
Tray	950mm x 685mm

**Note: this stand is included in the oven price.**