



# Jalando JA 70 (B)

(PREASSEMBLED)



**Weight**  
290kg Preassembled



## Whats Included

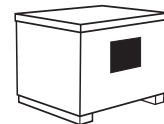
- Cement/clay oven
- Flue
- Steel slab base
- Steel sub floor
- 1 Pizza paddle
- Refractory brick floor
- 1 Recipe book
- 1 Powder coated oven door
- 1 oven stand



Oven Dimensions



Delivery Quote



Box Dimensions

### External dimensions of oven

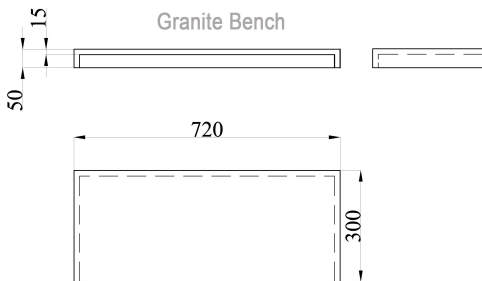
|                              |       |
|------------------------------|-------|
| Length (front to back)       | 950mm |
| Width (left to right)        | 930mm |
| Oven height (excluding flue) | 580mm |
| Weight                       | 290kg |

### Internal dimensions of oven

|                        |       |
|------------------------|-------|
| Length (front to back) | 840mm |
| Width (left to right)  | 710mm |

### Flue details

|               |       |
|---------------|-------|
| Flue height   | 600mm |
| Flue diameter | 275mm |

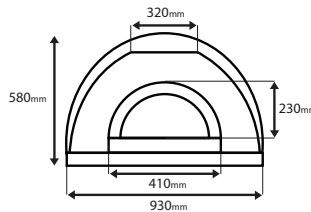


For delivery quote go online

[jalandopizzaovens.com.au/quotation-on-delivery](http://jalandopizzaovens.com.au/quotation-on-delivery)  
or call on 0418 339 881 - 0438 783 533  
Monday - Friday 8am to 6pm

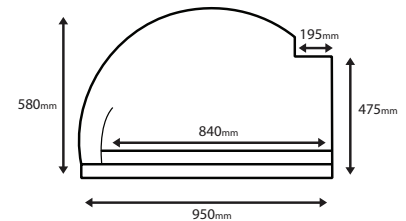
### Preassembled oven

(L) 1160mm x (W) 1120mm x (H) 835mm



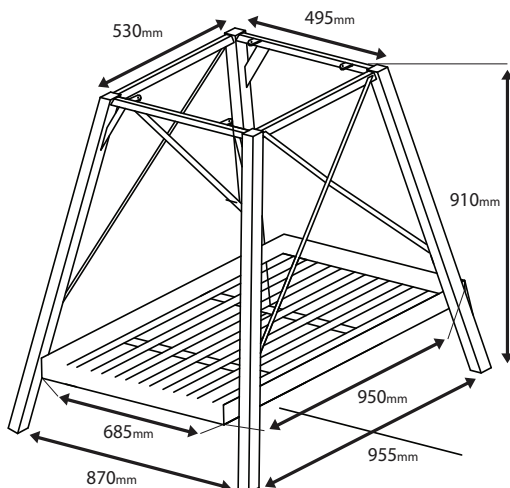
### Oven Diagram (Front)

|                 |       |
|-----------------|-------|
| Width           | 930mm |
| Height          | 580mm |
| Arch Width      | 410mm |
| Arch height     | 230mm |
| Flue base width | 320mm |



### Oven Diagram (Side)

|                 |       |
|-----------------|-------|
| Length          | 950mm |
| Height          | 580mm |
| Internal length | 840mm |
| Flue base width | 195mm |
| Front height    | 475mm |



### JO stand (equipped with oven)

|            |               |
|------------|---------------|
| Length     | 955mm         |
| Width      | 870mm         |
| Height     | 910mm         |
| Top length | 530mm         |
| Top width  | 495mm         |
| Tray       | 950mm x 685mm |

**Note: this stand is included in the oven price.**