



# Jalando JA70 (RB)

(REAL BRICK ARCH)



## Weight

Gross weight 348KG (Boxed)  
Oven Weight (280KG)



## Whats Included

- One pre-built Oven (Made of cement, clay, Refractory brick floor)
- One black powder coated door
- One black powder coated flue with China cap
- One Alum alloy pizza paddle with stainless handle
- One flat pack powder coated wrought stand with a tray plus bolts & nuts
- One Granite bench with supporting legs (Optional)
- Four threaded front lifting handles
- One recipe book.



Oven Dimensions

### External dimensions of oven

1045mm Length  
930mm Width  
585mm Height (without jo stand)

### Internal dimensions of oven

Length (front to back) 940mm  
Width (left to right) 700mm

### Flue details

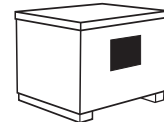
Flue height 600mm  
Flue diameter 150mm



Delivery Quote

For delivery quote go online

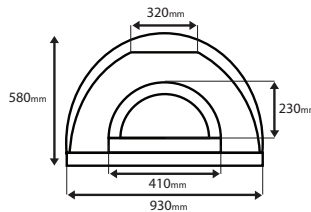
[jalandopizzaovens.com.au/quotation-on-delivery](http://jalandopizzaovens.com.au/quotation-on-delivery)  
or call on 0418 339 881 - 0438 783 533  
Monday - Friday 8am to 6pm



Box Dimensions

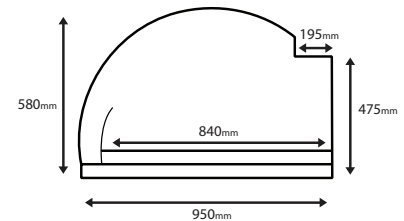
### Preassembled oven

(L) 1160mm x (W) 1120mm x (H) 835mm



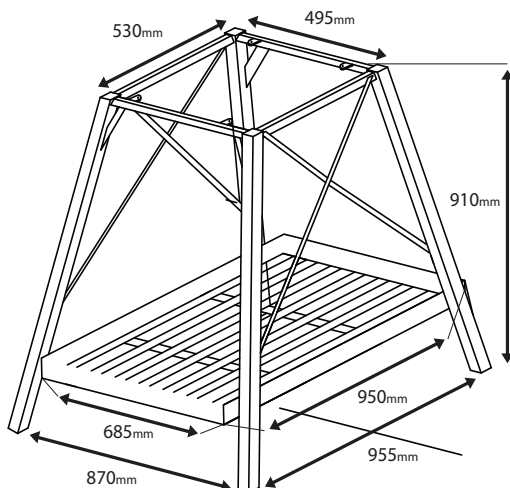
### Oven Diagram (Front)

Width	930mm
Height	580mm
Arch Width	410mm
Arch height	230mm
Flue base width	320mm



### Oven Diagram (Side)

Length	950mm
Height	580mm
Internal length	840mm
Flue base width	195mm
Front height	475mm



### JO stand (equipped with oven)

Length	955mm
Width	870mm
Height	910mm
Top length	530mm
Top width	495mm
Tray	950mm x 685mm

**Note: this stand is included in the oven price.**