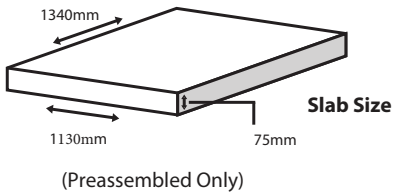


Whats Included

- Cement/Clay Oven
- Flue
- Steel Slab Base (Preassembled only)
- Steel Sub Floor
- 1 Pizza Paddle
- Refractory Brick Floor
- 1 Recipe Book
- 1 Powder Coated Oven Door
- 1 Oven Stand (Preassembled only)
- Assembly Instructions (DIY only)

Oven Dimensions

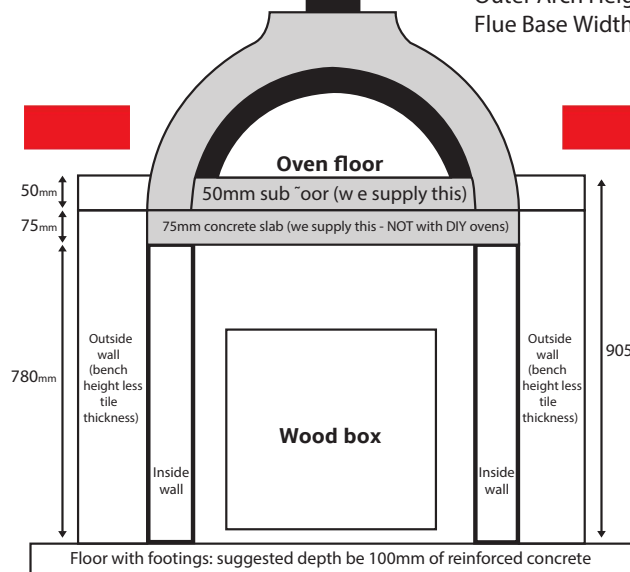


Stand Size

Width (left to right)	1282mm
Length (front to back)	1512mm
Height excluding wheels	965mm
Weight	60kg

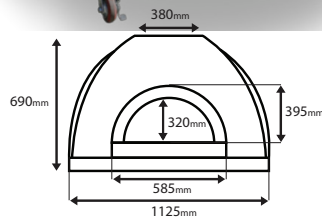
Flue Details

Flue Height	1000mm
Flue Diameter	275mm
Flue Cap Diameter	150mm



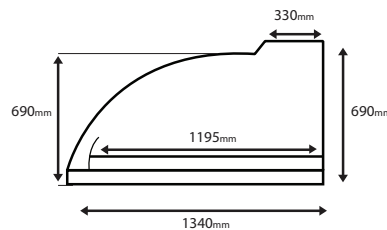
Oven sub floor	50mm
Slab	75mm
Sub floor and slab	125mm
Bench height	905mm +/-
Supporting wall for oven	780mm +/-
Oven floor height on supporting wall	905mm +/-

Note: Exterior wall height to suit tile and granite thickness to match oven door height.



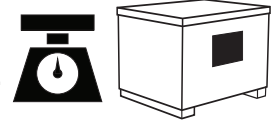
External Dimensions

Width (left to right)	1125mm
Length (front to back)	1340mm
Height	690mm
Outer Arch Width	585mm
Outer Arch Height	320mm
Flue Base Width	380mm



Internal Dimensions

Width (left to right)	835mm
Length (front to back)	1195mm
Dome Height	380mm
Inner Arch Width	440mm
Inner Arch Height	280mm
Internal Cooking Area	
Width (left to right)	835mm
Length (front to back)	840mm



Box Dimensions

Preassembled oven	
Width	1515mm
Length	1285mm
Height	965mm
Weight	700kg
DIY kit	
Width	1110mm
Length	1120mm
Height	820mm
Weight	376kg

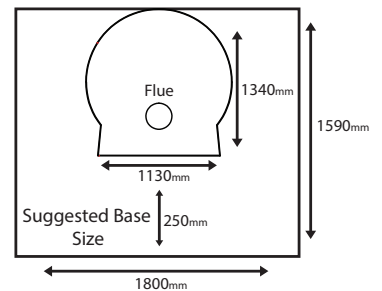
*All measurements may vary slightly.

Suggested base sizes (plain base)

Length (including prep area)	1590mm
Front prep area	250mm
Width (suggested minimum)	1350mm
Width (with side prep area)	1800mm

Wood box (suggested)
600mm x 60mm x 800mm deep
Height (bench height)
905mm to 950mm

Plain Base



Suggested base sizes (corner base)

Sides (absolute minimum)	1630mm
Sides (good)	1700mm
Sides (recommended)	1750mm
Width of wall	950mm
Front prep area (widest point)	250mm

Wood box (suggested)
600mm x 60mm x 800mm deep
Height (bench height)
850mm to 950mm
Distance from back corner to front of oven floor
1630mm

Corner base

