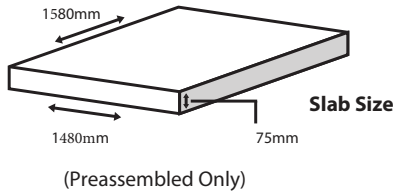


## Whats Included

- Cement/Clay Oven
- Flue
- Steel Slab Base (Preassembled only)
- Steel Sub Floor
- 1 Pizza Paddle
- Refractory Brick Floor
- 1 Recipe Book
- 1 Powder Coated Oven Door
- 1 Oven Stand (Preassembled only)
- Assembly Instructions (DIY only)

## Oven Dimensions

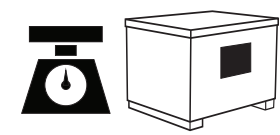
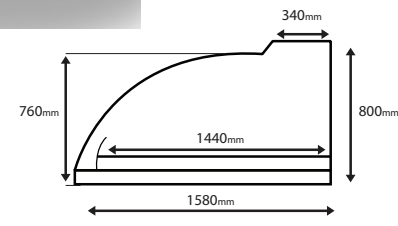
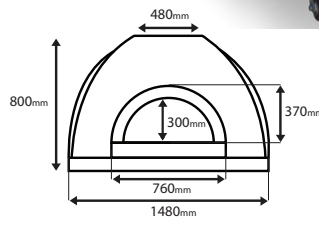


## Stand Size

Width (left to right) 1550mm  
 Length (front to back) 1150mm  
 Height excluding wheels 1040mm  
 Weight 75kg

## Flue Details

Flue Height 1000mm  
 Flue Diameter Flue 150mm  
 Diameter Cap 275mm



## External Dimensions

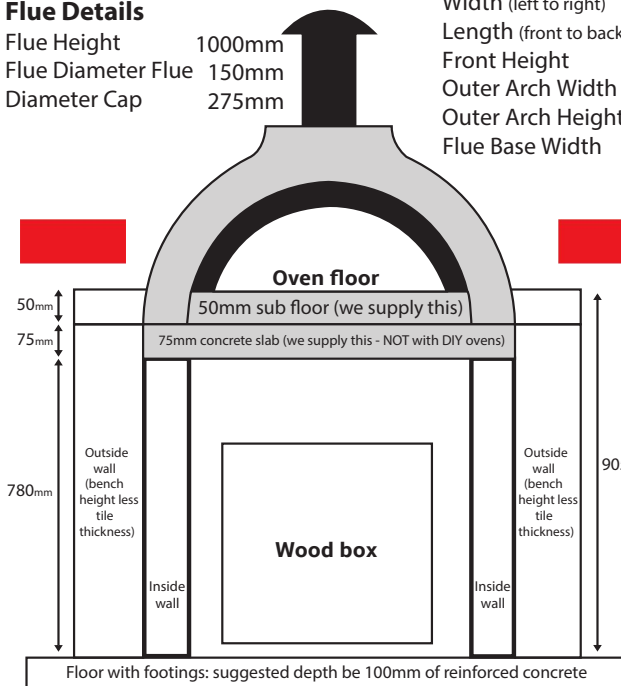
Width (left to right) 1480mm  
 Length (front to back) 1580mm  
 Front Height 800mm  
 Outer Arch Width 760mm  
 Outer Arch Height 370mm  
 Flue Base Width 480mm

## Internal Dimensions

Width (left to right) 1190mm  
 Length (front to back) 1440mm  
 Dome Height 760mm  
 Inner Arch Width 600mm  
 Inner Arch Height 300mm  
**Internal Cooking Area**  
 Width (left to right) 1190mm  
 Length (front to back) 1100mm

## Box Dimensions

**Preassembled oven**  
 1550mmL x 1650mmW x 1080mmH  
 Weight 830kg  
**DIY kit**  
 1120mmL x 1170mmW x 970mmH  
 Weight 420kg



## Suggested base sizes (plain base)

Length (including prep area) 1830mm  
 Front prep area 250mm  
 Width (suggested minimum) 1600mm  
 Width (with side prep area) 1800mm

Wood box (suggested)  
 600mm x 60mm x 800mm deep  
 Height (bench height)  
 905mm to 950mm

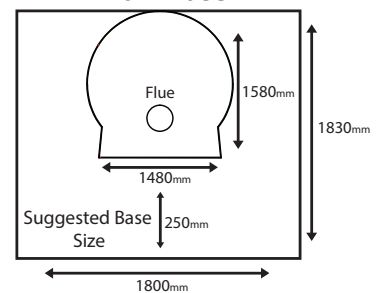
## Suggested base sizes (corner base)

Sides (absolute minimum) 1900mm  
 Sides (good) 1950mm  
 Sides (recommended) 2000mm  
 Width of wall 1000mm  
 Front prep area (widest point) 250mm

Wood box (suggested) 600mm x 60mm x 800mm deep  
 Height (bench height) 850mm to 950mm  
 Distance from back corner to front of oven floor 1830mm

\*\*All measurements may vary slightly

## Plain Base



## Corner base

