

## Clay Wood Fired Pizza Oven Stand (B1-1)

SUITS CLAY-W-800-1

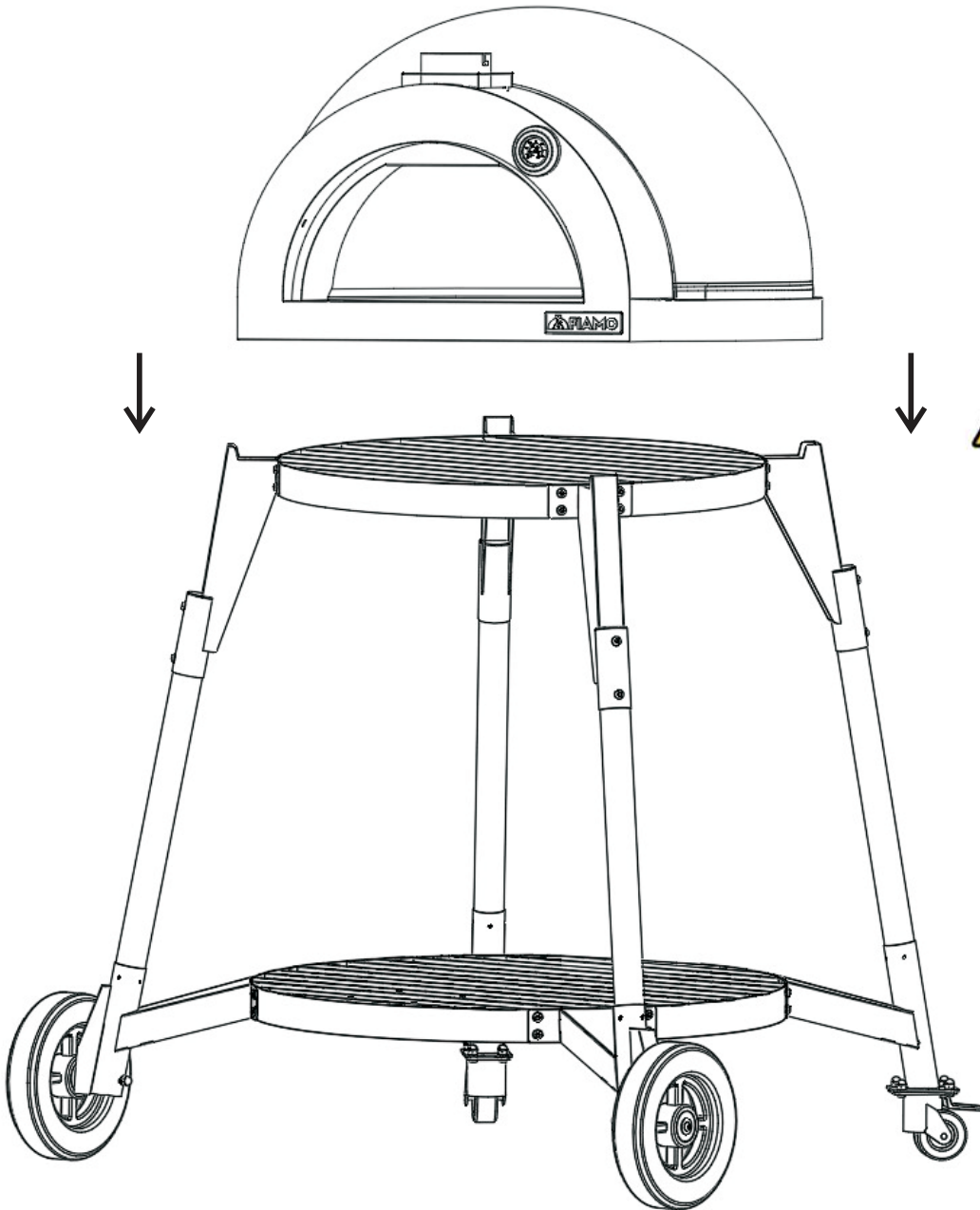
### User Guide

#### **User Instructions - Please keep for future reference**

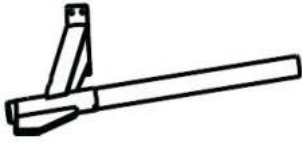
**IMPORTANT!** Carefully remove any packaging before use, but retain the safety instructions. These instructions form part of the product.  
Please take note of all of the safety warnings listed in these instructions.  
Please read these instructions in their entirety and retain them for future reference.  
These instructions should be stored with the product.  
Failure to adhere to these instructions could result in property damage, personal injury or death.

# WARNING

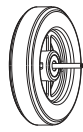
Watch your hands and fingers when placing the oven on the stand!



# Parts Lists



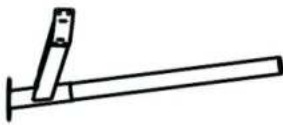
(1).Front Leg F1×1, F2×1



(2).Front Wheel×2



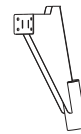
(3).Front support frame  
F1×1, F2×1



(4).Rear leg B1×1,B2×1



(5).Rear wheel×2



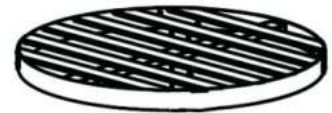
(6).Rear support frame  
B1×1,B2×1



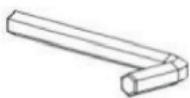
(7).Shelf×1



(8).M8 Hexagon  
socket screws×48



(9).Stove rack×1



(10).Allen key M8×1



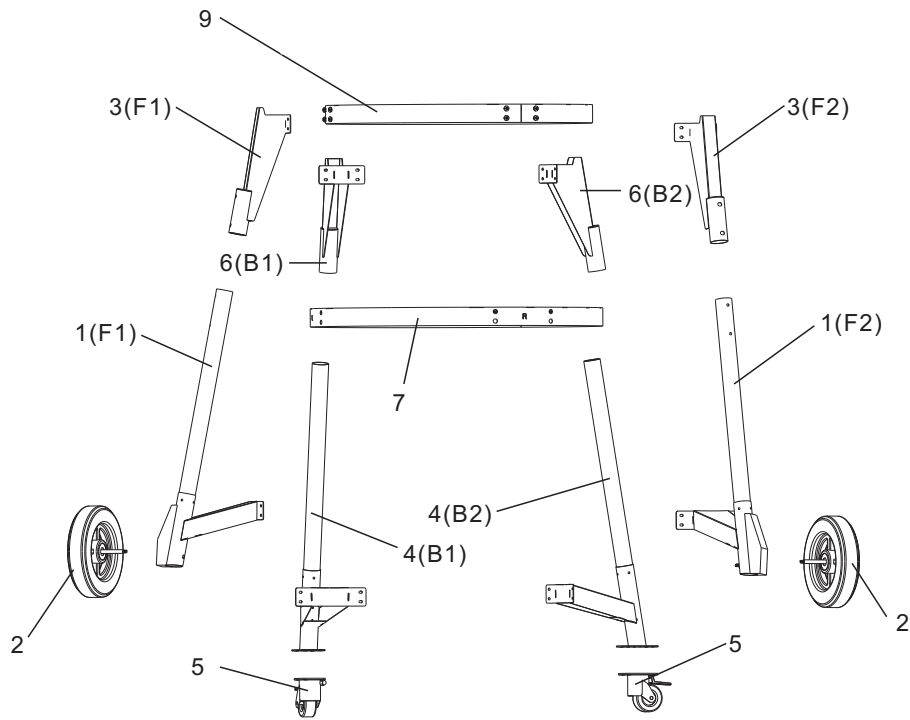
(11).Nut×10



(12).Wrench×1

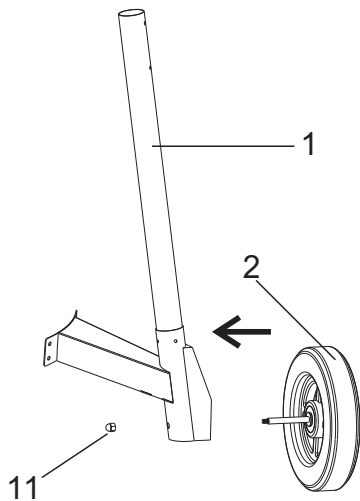
# Assembly Instruction and Diagram

IMPORTANT - Remove any packaging before use, but retain the instructions



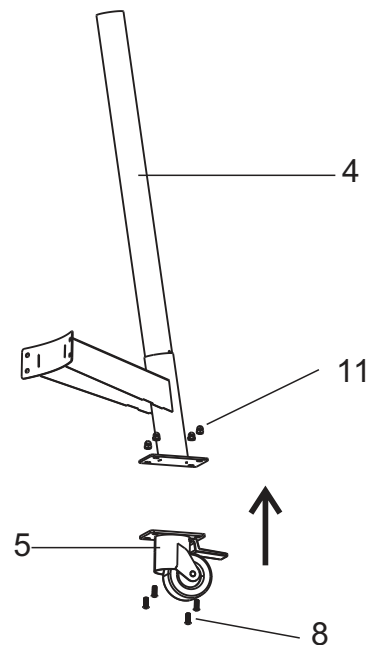
## Step 01

Install the two front wheels(2) on the two front legs(1)with nut(11). Use a wrench(12) and a M8 allen key(10) to secure the screws.



## Step 02

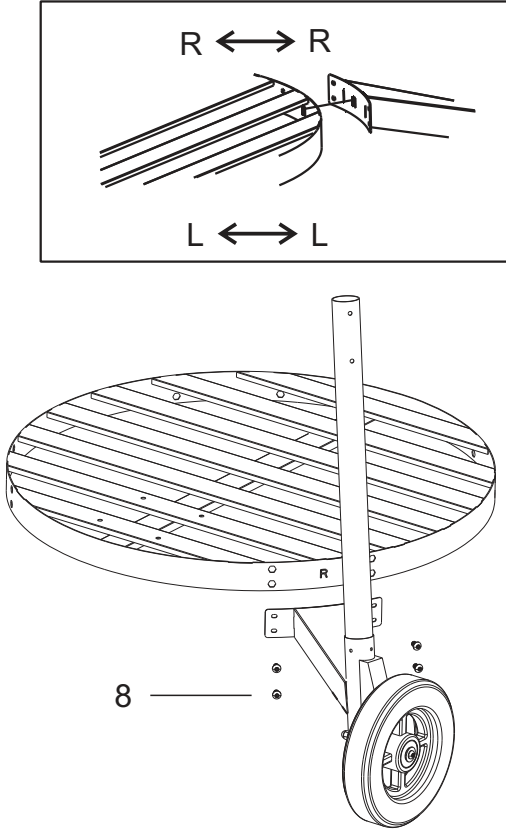
Install the two rear wheels(5) on the two rear legs(4) with screws(8) and nuts(11). Use a wrench(12) and a M8 allen key(10) to secure the screws.



# Assembly Instruction

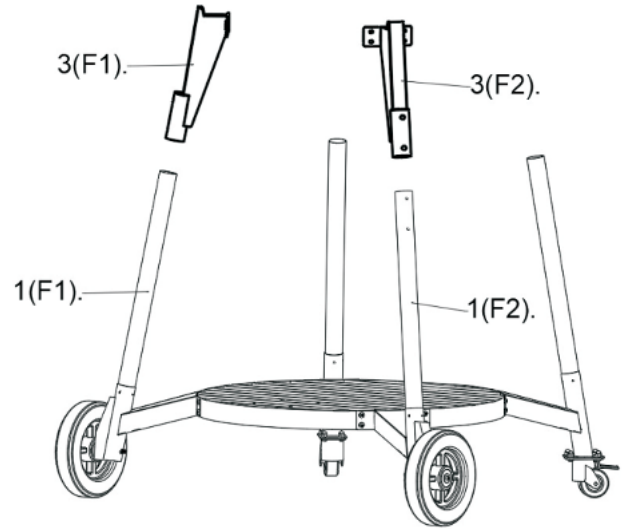
## Step 03

Attach the 4 legs(1)&(4) to the shelf(7) with screws. Use an M8 allen key(10) to secure the hexagon socket screws(8). Pay attention to check the left and right signs.



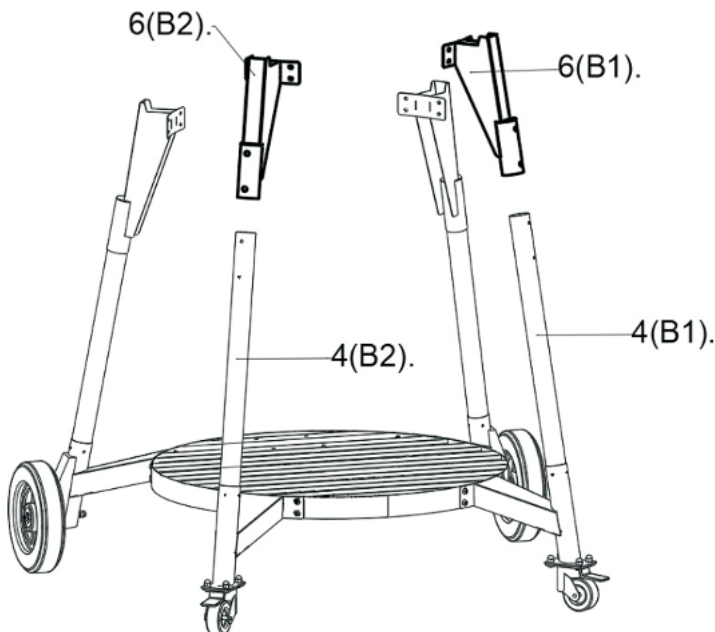
## Step 04

Install the 2×front support frames(3)F1,F2 on to the 2× front legs(1).



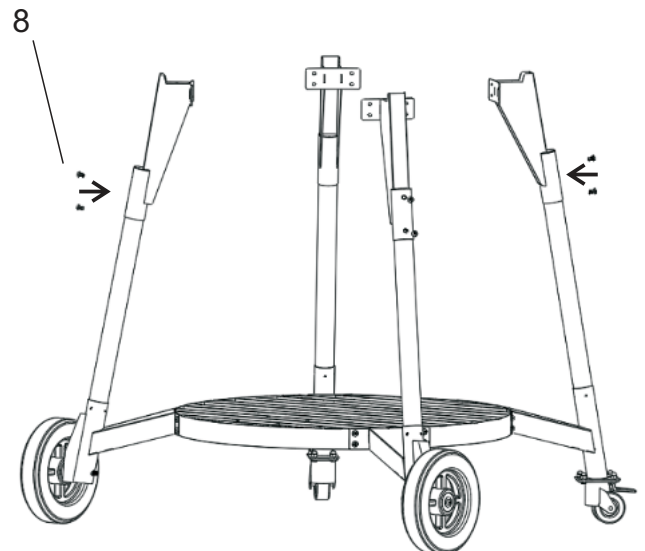
## Step 05

Install the 2 rear support frames(6) on to the 2 rear Legs(4)B1,B2.



## Step 06

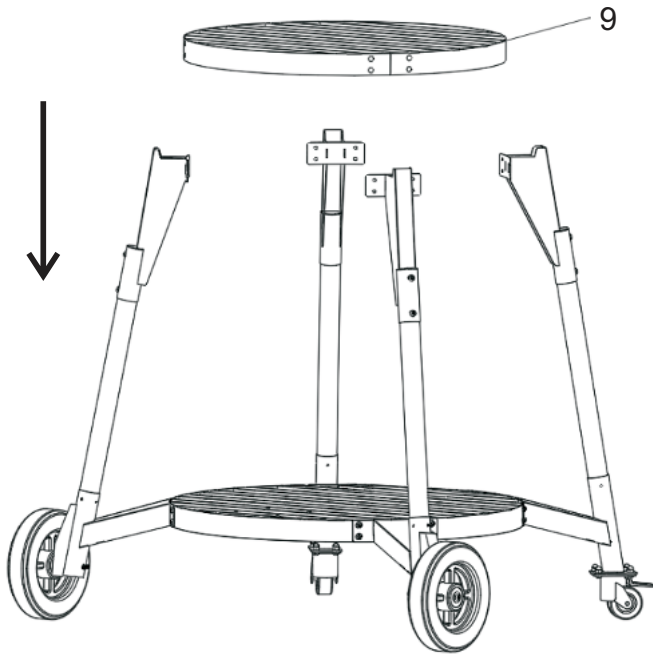
Use a hexagon socket screws(8) to secure the 4 support frames.



# Assembly Instruction

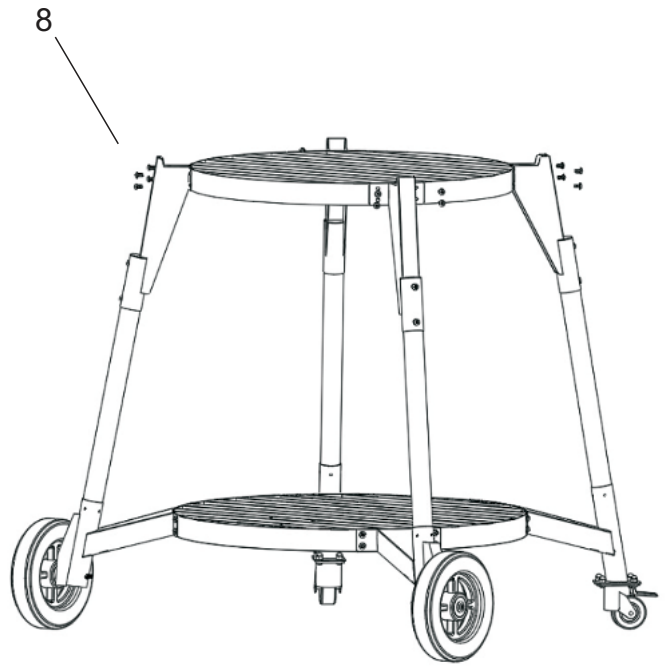
## Step 07

Install the oven rack(9).



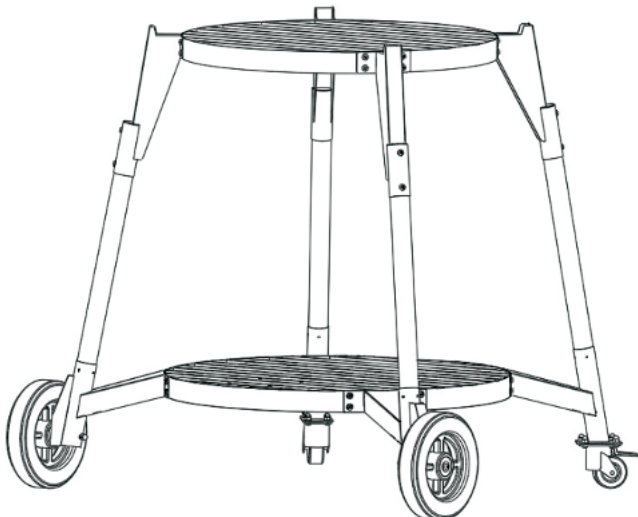
## Step 08

Fix the oven rack(9) and the support frame with M8 hexagon socket screws(8).



## Step 09

The stand assembly is complete.  
Sit pizza oven on top shelf with front opening over the large wheels.





[www.fiamooven.com](http://www.fiamooven.com)

FIAMO is a trademark of Ovendesign Group., Limited.

SERIAL NUMBER