

Clay Pizza Oven Countertop Kits

SUITS CLAY-W-800-1

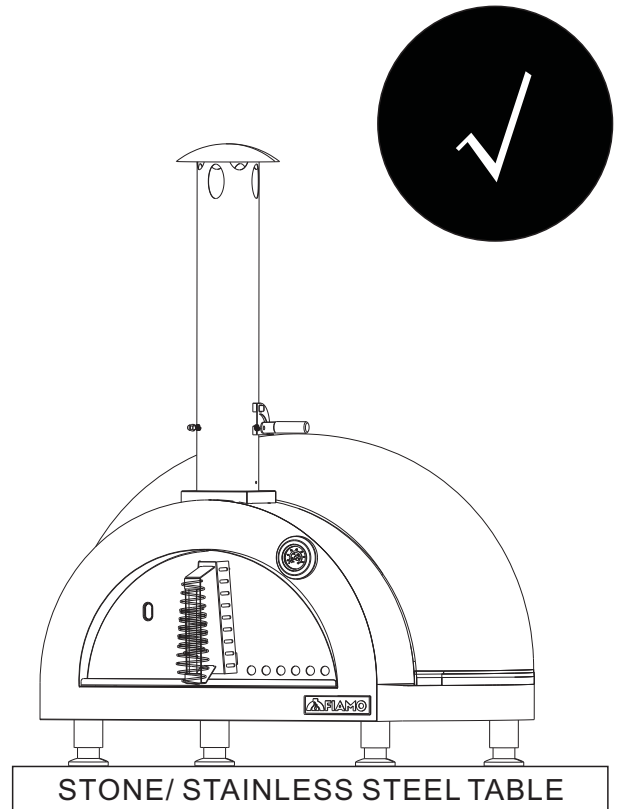
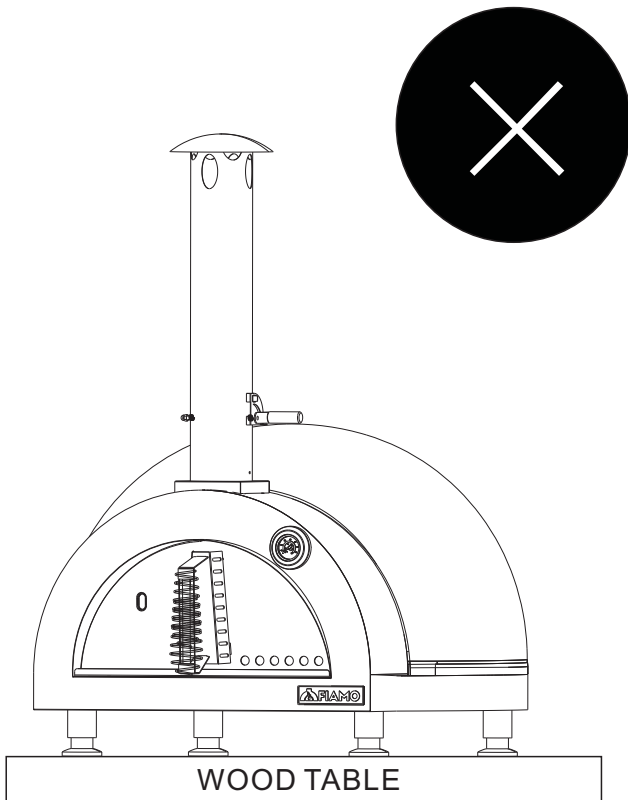
User Guide

User Instructions - Please keep for future reference

IMPORTANT! Carefully remove any packaging before use, but retain the safety instructions. These instructions form part of the product.
Please take note of all of the safety warnings listed in these instructions.
Please read these instructions in their entirety and retain them for future reference.
These instructions should be stored with the product.
Failure to adhere to these instructions could result in property damage, personal injury or death.

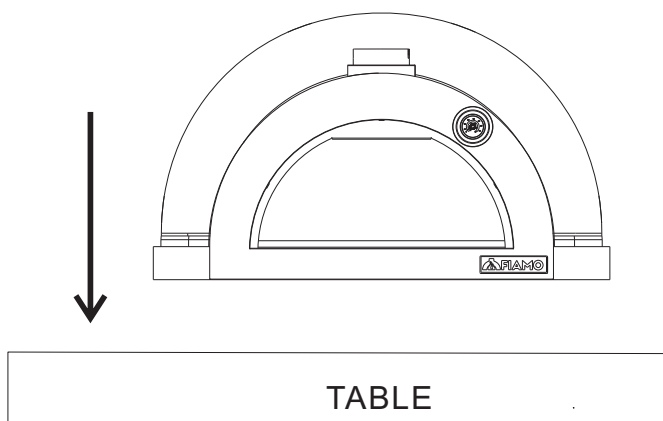
! WARNING

Don't place the oven on the wooden table.

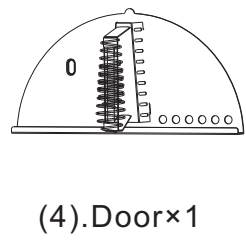
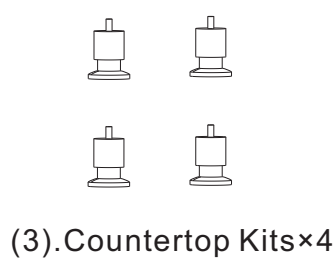
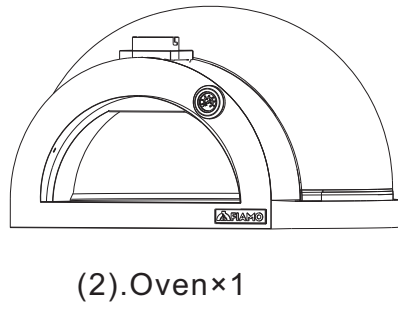
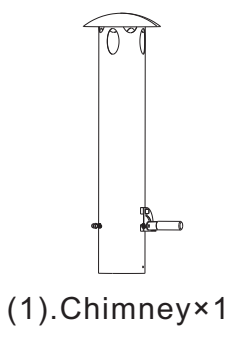
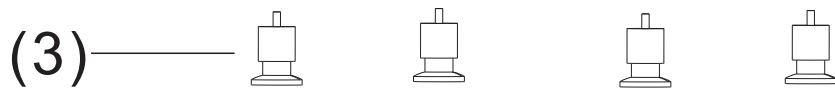
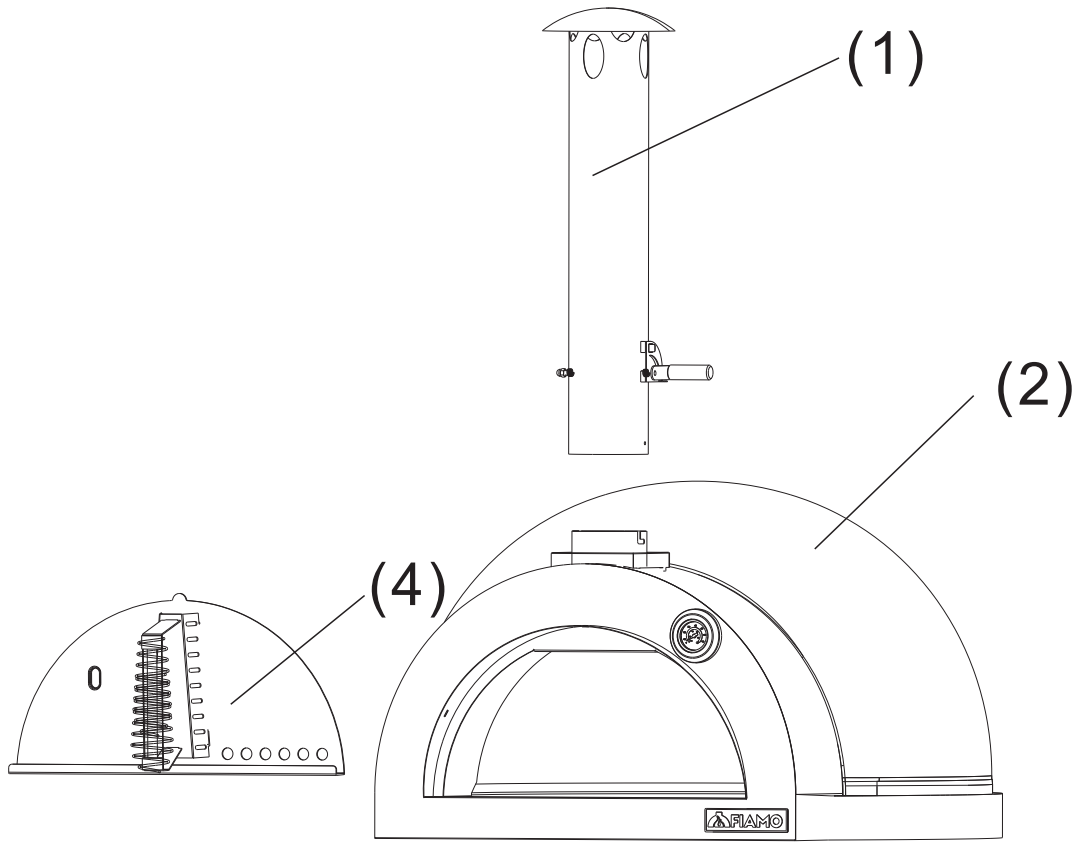


! WARNING

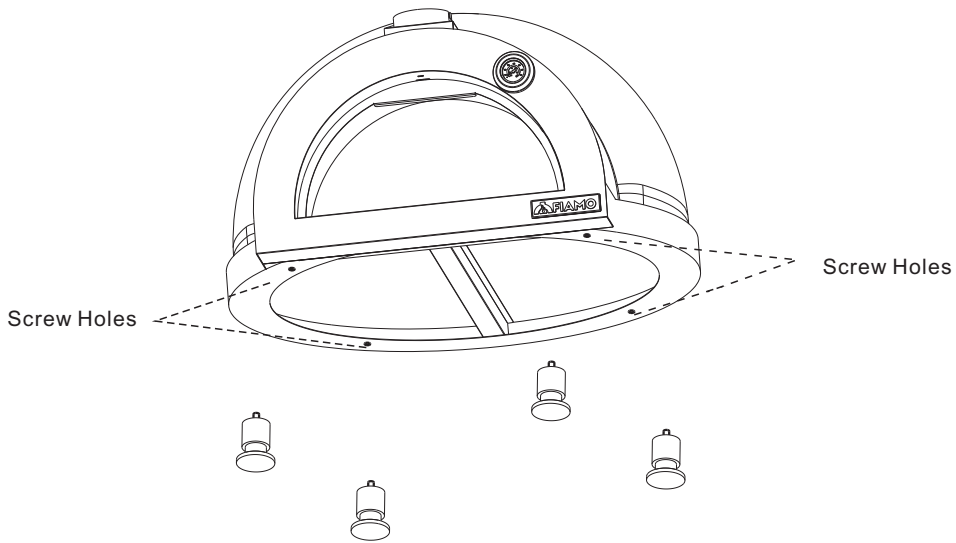
The oven is extremely heavy, watch your hands and fingers when putting down to the table!



Parts Lists

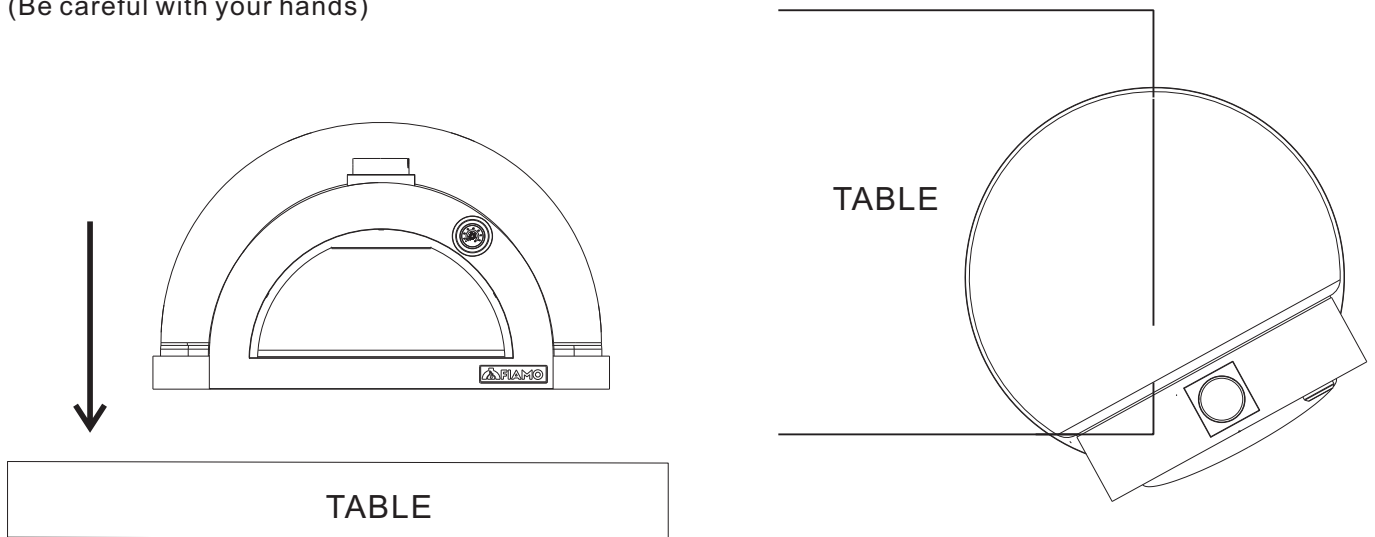


Assembly Instruction and Diagram



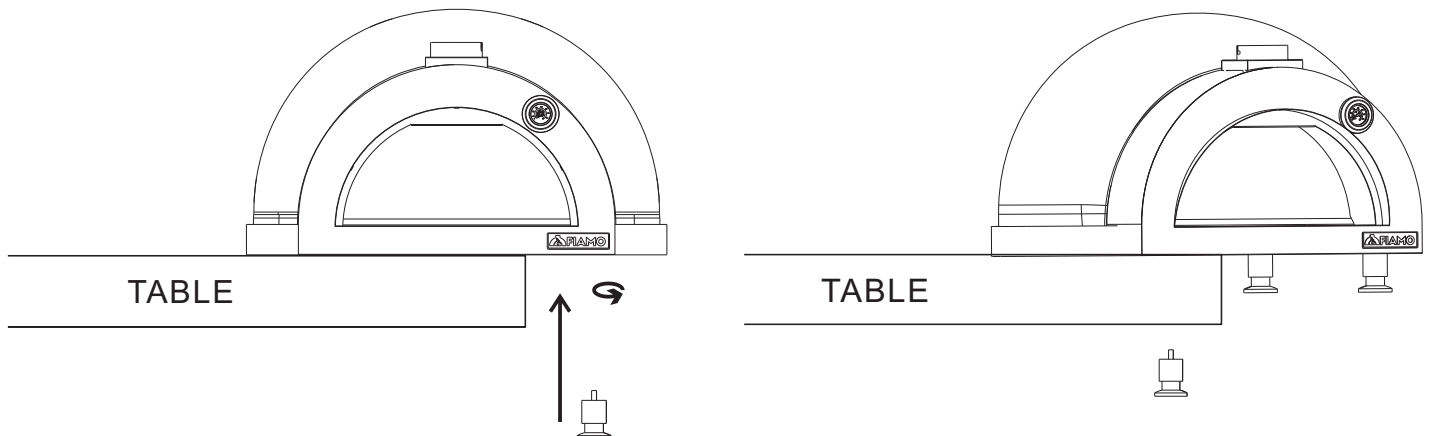
Step 01

Place the oven (2) on a flat table, exposing the 3 screw holes for assembling countertop kits. (Be careful with your hands)



Step 02

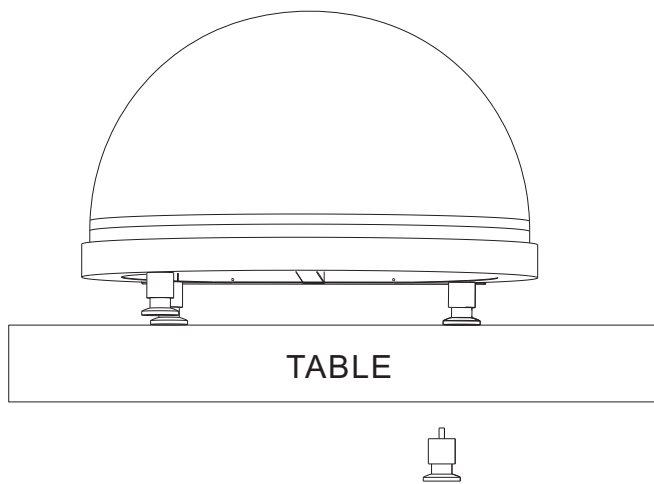
Align the countertop kits(3) with the 3 screw holes and screw them counterclockwise into the oven until the kits are fixed.



Assembly Instruction

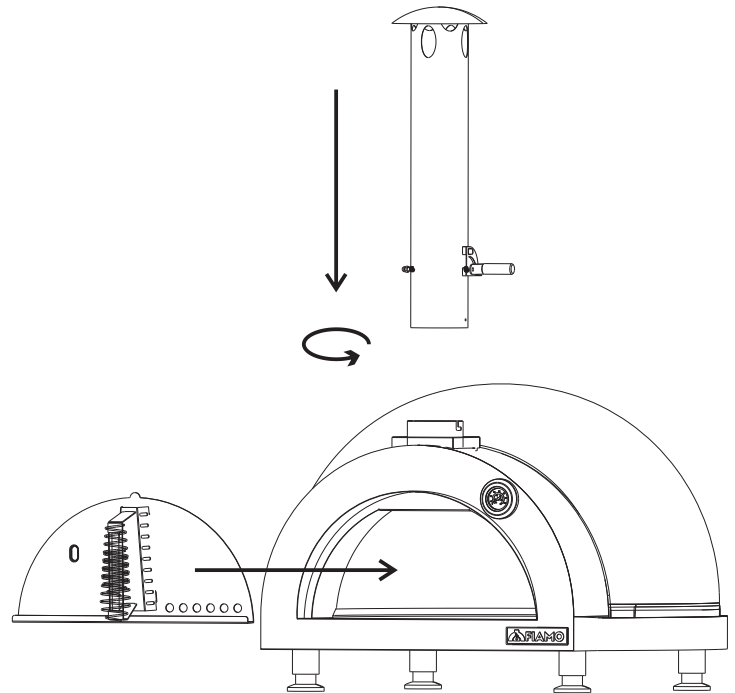
Step 03

Push the oven with 3× assembled countertop kits(3) to the middle of the table, lift the oven, and install the last kit(3).



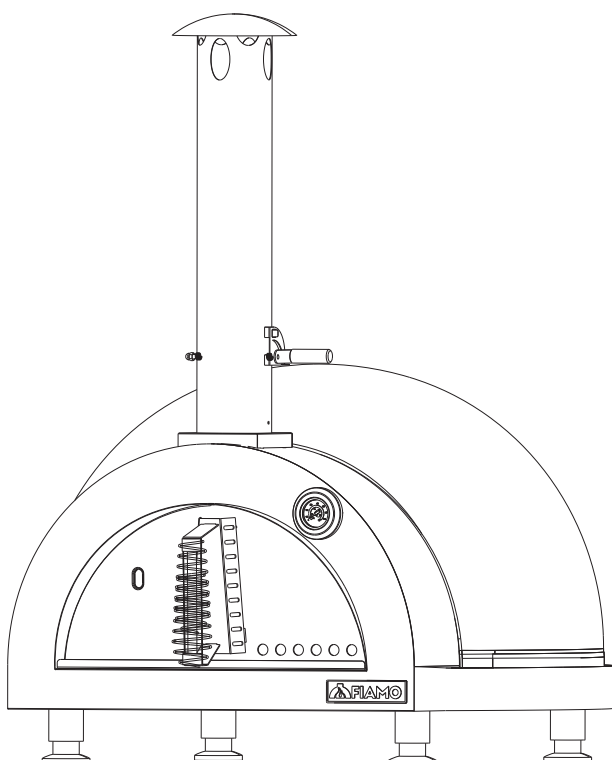
Step 04

Install the chimney (1) on the oven, rotate the chimney counterclockwise to fix it to the base.



Step 05

The oven is ready for use.





www.fiamooven.com

FIAMO is a trademark of Ovendesign Group., Limited.

SERIAL NUMBER