

JA70 TILED

PreAssembled

WHAT IS INCLUDED

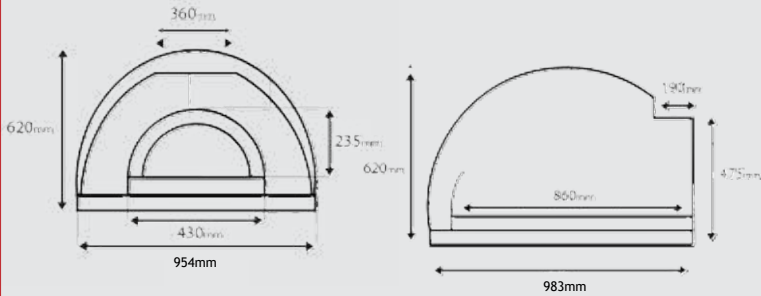
- Refractory Cement/Clay/Tiled Oven
- Steel Sub Base
- Refractory Brick Floor
- Ceramic Insulation Fibre
- Super Wool Floor Base
- Black Powder Coated or Stainless Steel Flue & Cap
- Black Powder Coated or Stainless Steel Arch Cover
- Black Powder Coated or Stainless Steel Slab Cover
- Black Powder Coated Oven Door
- Stainless Steel / Alloy Pizza Paddle
- Recipe eBook
- 1 Year Warranty (Conditions Apply)



EXTERNAL DIMENSIONS

Width (left to right)	954mm
Length (front to back)	983mm
Dome Height	620mm
Outer Arch Width	430mm
Outer Arch Height	235mm
Flue Base Width	340mm
Front Height	475mm
Front Width	696mm
Dome Thickness	50mm
Insulation Render Tile Thickness	60-90
Weight	330kg

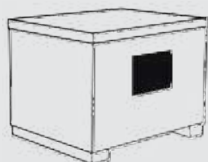
(Please note Mushroom Stone pizza oven weight is 355kg)



BOX DIMENSIONS

Width (left to right)	1120mm
Length (front to back)	1110mm
Height	850mm
Weight (includes pizza oven)	365kg

(Please note Mushroom Stone pizza oven boxed weight is 390kg)

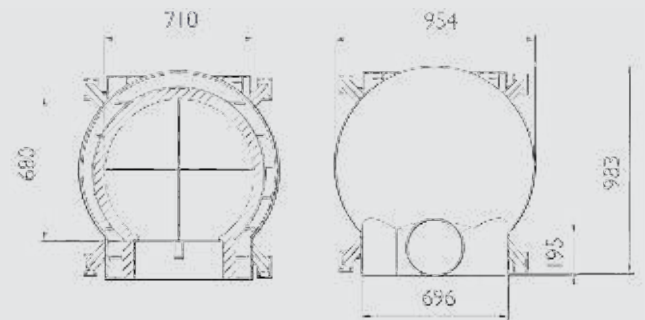


INTERNAL DIMENSIONS

Width (left to right)	710mm
Length (front to back)	860mm
Dome Height	335mm
Inner Arch Width	385mm
Inner Arch Height	220mm
Floor Brick Thickness	38mm

INTERNAL COOKING AREA

Width (left to right)	710mm
Length (front to back)	680mm



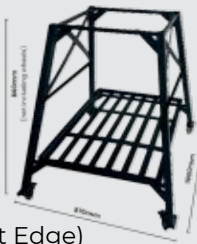
FLUE DIMENSIONS

Flue Height	500mm
Flue Diameter	150mm
Flue Cap Diameter	275mm

OPTIONAL EXTRAS

STAND & WHEELS

Width (left to right)	870mm
Length (front to back)	1000mm
Height (excluding wheels)	860mm
Stand Weight	34kg
Wheel Height	95mm
Wheel Weight	2.5kg



GRANITE BENCH (Square or Curved Front Edge)

Width (left to right)	720mm
Length (front to back)	300mm
Thickness	50mm
Weight	12kg